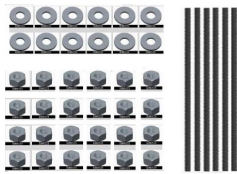


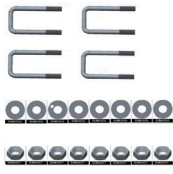
Installation Guide

837 Series Adjustable Plate-Type Fixture Carrier

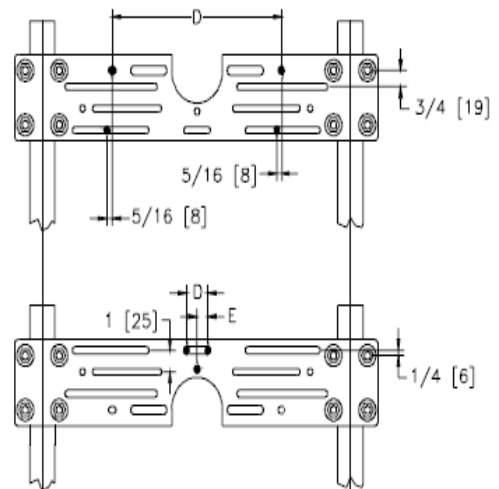
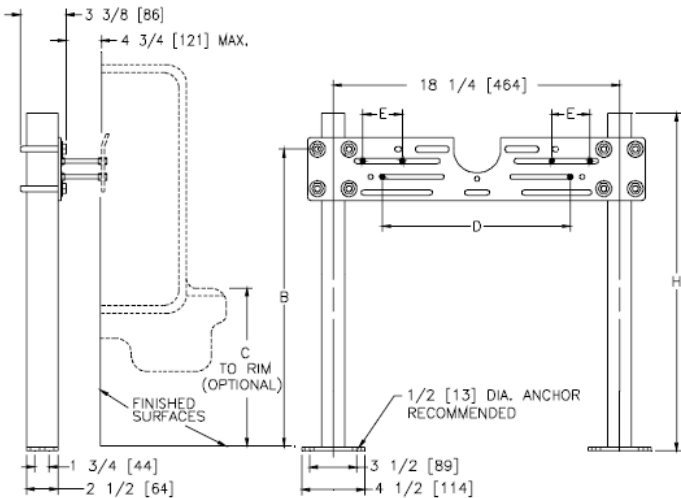
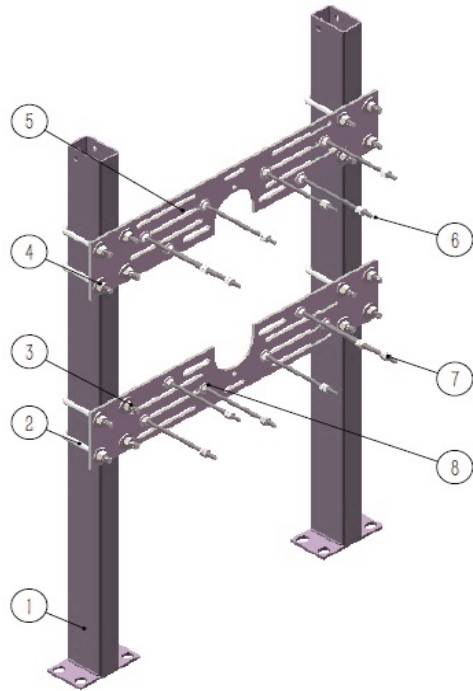
| PART | SINGLE QTY | DUAL QTY | DESCRIPTION |
|------|------------|----------|------------------------|
| 1 | 2 | 2 | Upright w/ welded feet |
| 2 | 4 | 8 | U-Bolt |
| 3 | 8 | 16 | 3/8 Washer |
| 4 | 8 | 16 | 3/8-16 Nut |
| 5 | 1 | 2 | Bearing Plate |
| 6 | 6 | 12 | 1/4-20x6 Rod |
| 7 | 24 | 48 | 1/4-20 Nut |
| 8 | 12 | 24 | 1/4 Washer |



HW5020 Hardware
Bearing Plate part #S4101



HW5020-2 Hardware



- STEP 1:** Attach carrier plate(s) to rectangular upright.
Use (2) u-bolts, (4) washers, and (4) nuts per plate, per upright.
- STEP 2:** Tighten at correct elevation.
- STEP 3:** Set assembly in correct position and anchor to floor using 1/2" bolts (supplied by others).
A minimum of two diagonally placed bolts per upright are recommended for proper installation.
- STEP 4:** Verify alignment and elevation.
- STEP 5:** Install rods, washers, and nuts to plate(s) per fixture manufacturer's rough-in dimensions.